

General Series SLA Battery

General Series

General Series Valve Regulated Lead Acid batteries are designed with AGM (Absorbent Glass Mat) technology, high performance plates and electrolyte to gain extra power output for common power backup system applications widely used in the field of UPS, Emergency Lighting System.

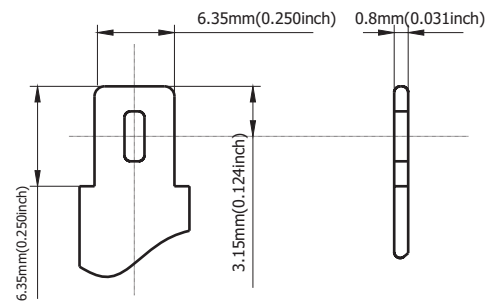
Application

- Alarm System
- Cable Television
- Communication Equipment
- Control Equipment
- Security System
- Medical Equipment
- UPS
- Power tools
- Emergency Power System
- Toys



General Features

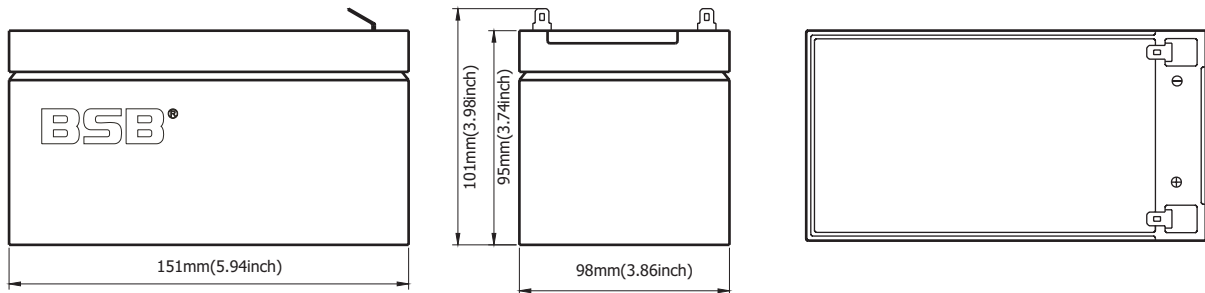
- Sealed and maintenance free operation.
- Non-Spillable construction design.
- ABS containers and covers(UL94HB, UL94V-0) optional.
- Safety valve installation for explosion proof.
- High quality and high reliability.
- Exceptional deep discharge recovery performance.
- Low self discharge characteristic.
- Flexibility design for multiple install positions.



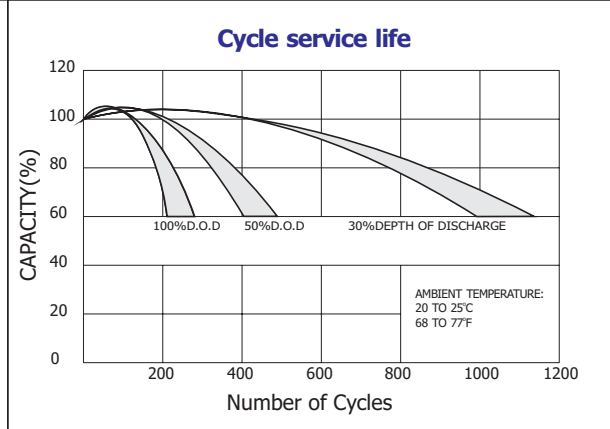
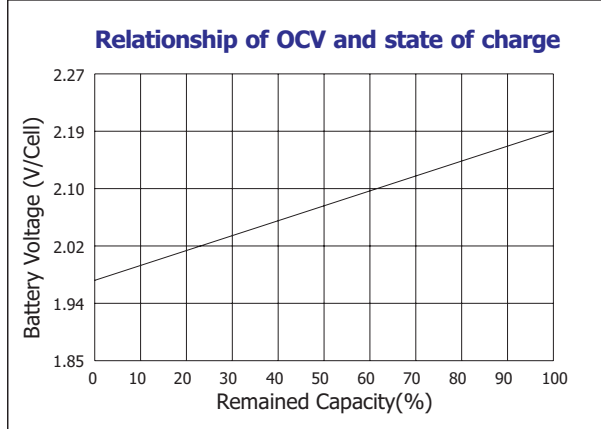
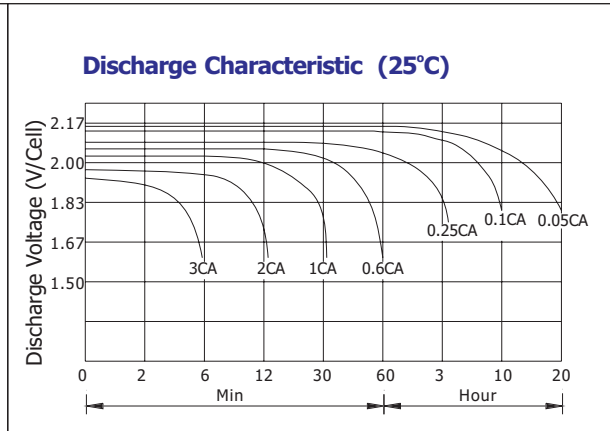
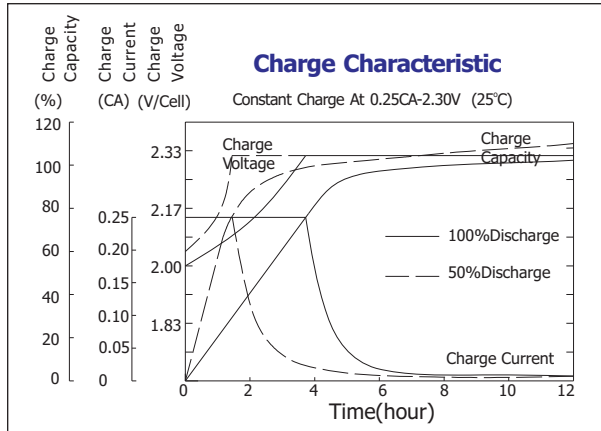
Terminal Dimensions

Construction

- ComponentRaw material
- PositiveLead dioxide
- NegativeLead
- ContainerABS
- CoverABS
- SealantEpoxy Resin
- Safety valveEPDR
- TerminalCopper
- SeparatorFiber glass
- ElectrolyteSulfuric acid



Battery Model	GB12-12			
Designed Floating Life	5 Years			
Capacity(25°C)	20HR(0.6A,1.80V)	10HR(1.08A,1.80V)	5HR(2.04A,1.75V)	1HR(7.85A,1.60V)
	12AH	10.8AH	10.2AH	7.85AH
Dimensions	Length	Width	Height	Total Height
	151mm(5.94inch)	98mm(3.86inch)	95mm(3.74inch)	101mm(3.98inch)
Approx. Weight	3.7Kg (8.16 lbs)			
Internal Resistance	Full charged at 25°C: 0.019 Ohm			
Self Discharge	3% of capacity declined per month at (25°C)			
Capacity Affected by Temp.(20HR)	40°C	25°C	0°C	-15°C
	102%	100%	85%	65%
Charge Voltage(25°C)	Cycle use		Float use	
	14.4-14.8V(-30mV/ °C), max. Current:3.6A		13.6-13.8V(-20mV/ °C)	



Constant current discharge ratings-amperes at 25°C

F.V/Time	5 MIN	10MIN	15MIN	30MIN	1HR	3HR	5HR	10 HR	20HR
1.60V	46.9	29.2	22.0	13.4	7.85	3.74	2.17	1.13	0.67
1.67V	44.0	27.7	21.2	12.8	7.74	3.60	2.13	1.12	0.64
1.70V	40.3	26.7	20.7	11.7	7.51	3.36	2.08	1.11	0.63
1.75V	39.5	25.8	20.0	11.1	7.15	3.25	2.04	1.10	0.62
1.80V	35.4	24.7	18.2	10.3	6.70	3.12	1.92	1.08	0.60
1.85V	31.2	23.5	16.3	9.45	6.24	3.01	1.79	1.07	0.58

Constant power discharge ratings-watts at 25°C

F.V/Time	5 MIN	10MIN	15MIN	30MIN	1HR	3HR	5HR	10 HR	20HR
1.60V	82.2	52.7	40.2	24.2	14.2	6.64	3.67	2.25	1.33
1.67V	79.4	51.3	39.7	23.7	14.1	6.43	3.66	2.24	1.28
1.70V	74.7	50.8	39.3	22.2	13.8	6.14	3.61	2.22	1.27
1.75V	75.2	50.7	39.0	21.5	13.6	6.00	3.58	2.20	1.24
1.80V	68.8	49.9	36.2	20.5	12.8	5.82	3.47	2.17	1.20
1.85V	62.4	47.4	32.8	19.2	12.0	5.65	3.36	2.14	1.16

