

# WALLPOD:EV SUPERFAST

FREE-TO-USE

Type 2, Mode 3 Charging Socket  
11kW Or 22kW

# ROLEC EV

MANUFACTURED IN THE UK



Unit shown: WALLPOD:EV SUPERFAST  
Socket (Type 2) Charging Unit

The WALLPOD:EV SUPERFAST is a low-cost, Superfast charging unit, designed to offer full Mode 3 charging to every Electric Vehicle (EV/PHEV) on the market today, with the facility to charge at 3 phase (11kW/22kW).

This charging unit has been specifically designed for domestic and commercial locations including offices, factories, restaurants, hotels, sports venues, etc.

## PRODUCT FEATURES

- IEC 61851-1 Mode 3 fast charging
- IEC 62196 (Type 2) 3 phase charging socket c/w security hatchlock
- Charging speeds - 11kW (16A) & 22kW (32A)
- Built-in 100A 3Pole 3MOD Isolator
- Built-in DC sensitive protective device
- Built-in LED charging status indicator
- Certificated by the BSI as safe to use in the domestic environment
- Easy to install and maintain
- IP65 Weatherproof & UV stabilised
- Corrosion resistant & fire retardant
- Impact resistant design
- CE certified



Super Fast  
3 Phase Charging



Safety In The  
Home Certified



Colour Options  
Available



IP65 Weather Proof  
& UV Stabilised



Flame  
Retardant

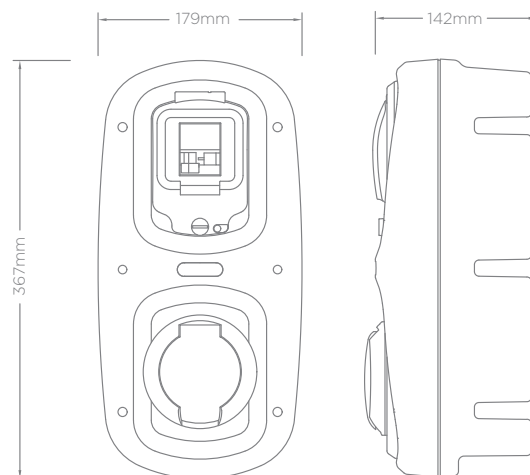


CE  
Certified

# SPECIFICATIONS

## PHYSICAL

Dimensions	179mm x 367mm x 142mm (W x H x D)
Standard Base Colour	Warm White (Other colours available upon request)
Standard Pod Colour	Grey (Other colours available upon request)
Unit Material	Polycarbonate (303 EP-22)
Operating Temperature	-30°C to +50°C
Certifications & Compliances	BSI Certified - BS EN 60335-1 Wiring Regulations - BS 7671 (18th Edition) IET EV Regulations, Glow Wire Testing - IEC 60695-2-13 EMC Compliance - EN 61000-6-3:2007, EN 61000-6-2:2005 Safety Compliance - EN 60950-1:2006, EN 60950-22:2006, Low Voltage Directive (LVD) 2014/35/EU Environmental Protection - IP65 (Category 1) Weatherproof BS EN 60529, UL94 Flame Rating at V2 for 1.5mm and 3.0mm



## ELECTRICAL

Product Code	EVWP2036	EVWP2046
Charging Socket	IEC 62196 (Type 2)	
Rated Output	11kW	22kW
Rated Current	16A	32A
Charge Protocol	Mode 3	
EV Charging Compliance	EN 61851-1:2001, EN 61851-21:2002, EN 61851-22:2002	
Input Voltage	400V AC/50Hz (3 Phase)	
Isolation Switch	Built-in 100A 3P 3MOD Isolator & 6mA DC Sensitive Device	
Incoming Cable Terminals	1 x 16mm neutral and 1 x 16mm earth	



## OPTIONS & ACCESSORIES

- Key switch control charging
- Lockable door to switchgear
- Corporate branding (colours, logo badge, etc.)
- Charge point signage
- 3 phase EV charging cables (Type 2 to Type 2)



Images are for marketing purposes only and are not contractual © 2019



Head office contact:  
t: +44 (0) 1205 724754  
f: +44 (0) 1205 724876  
rolec@rolecserv.co.uk

Rolec Services Ltd  
Ralphs Lane, Frampton West  
Boston, Lincolnshire  
UK. PE20 1QU

EVWP3SD-03  
@RolecEV  
www.rolecserv.com

