

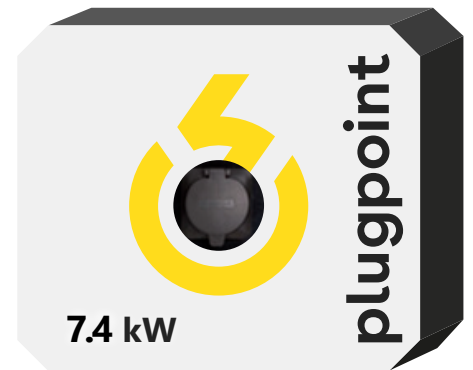
Technical documentation

Model: WallBox 7.4 kW / 2x7.4 kW

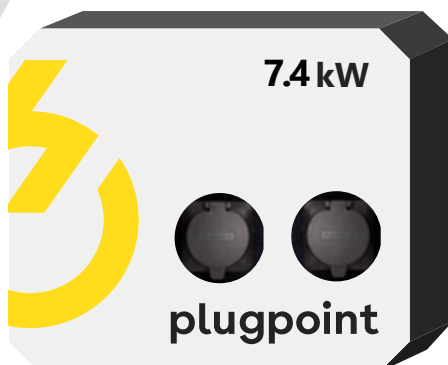
Well suited to be placed on vertical surfaces such as walls and pillars for both interior or exterior usage. Its compact size and simple design are best for tight places such as underground parking and garages.



Single plug



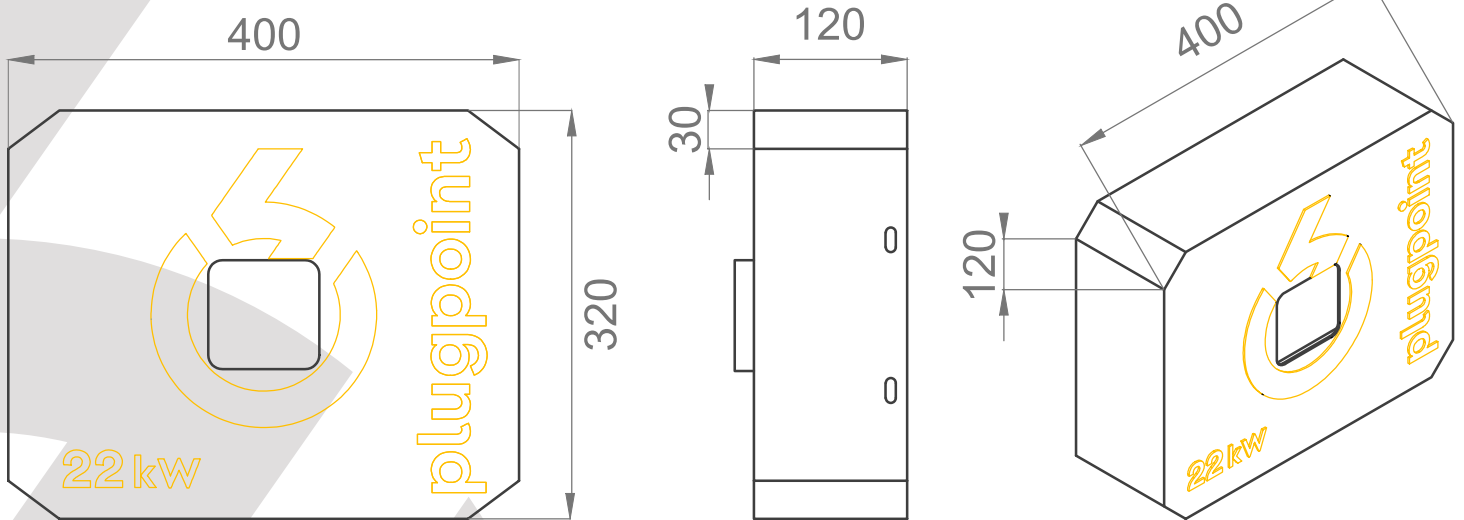
Double plug



TECHNICAL INFORMATION	
Charger models	Plug Point Wall Box 7.4 kW/2x7.4 kW
Connection to car	Mode 3 charging
Charging point access control	Free charging (no authentication required) Optional: App control
Communication with backend	Ethernet (if App control)
No. of simultaneous users	1 / 2
Control options	Ready to charge
	App control
	Master/slave functionality
	Power failure lock release for Mode 3 outlet
	Free charging mode
	Energy management from external input
Material	Electrostatic coated aluminium cover
Color	Black, Yellow & Black, White & Black
Exterior dimension	400x320x120 / 440x350x185
No. of charging points	2, mode 3 Type 2
Supply connections	L1, N, PE
	Cu 10mm ²
Operating temperature	From -25 to +55 celsius
Standard	IEC 61851-1, IEC 62196-2, EN 61439-1, EN 61439-3
Energy measurement / charging point	Smart meter: optional
Enclosure class	IP54
Nominal voltage and frequency	230 VAC, 50Hz
Nominal charging current	1 × 32A (Mode 3)/Charging port
Nominal charging power	7.4kW/Charging port
Nominal supply	230VAC, 50Hz
Safety features	MCB (Miniature Circuit Breaker) for controller protection
Optional features	Automatic release of charging cable in case of sudden power outage
	Connection to external management systems and applications via App

Technical drawing

Single plug



Double plug

