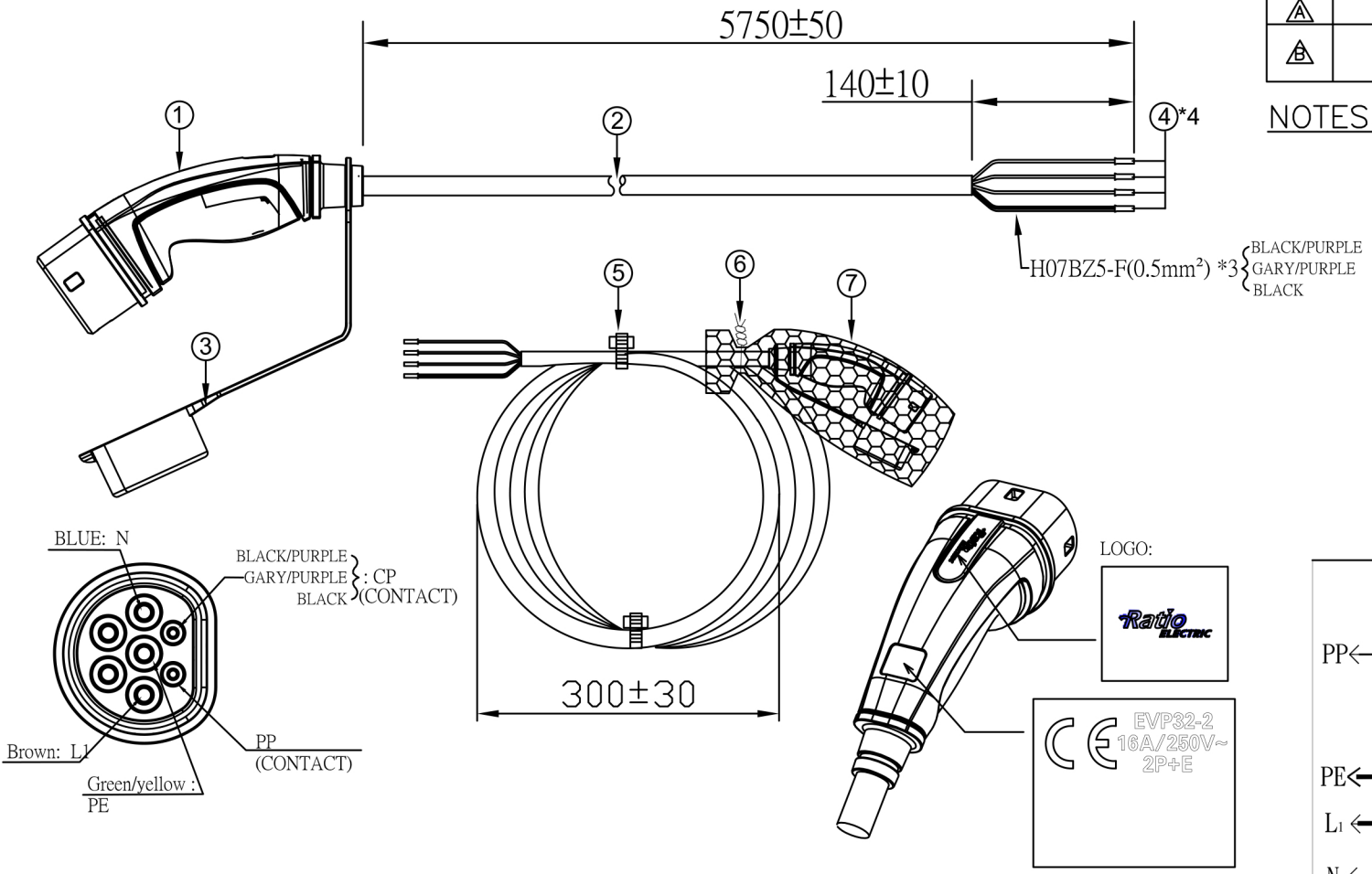
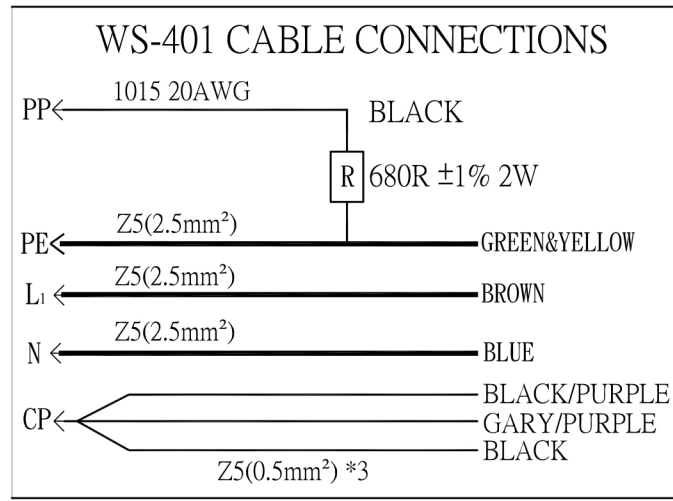


CUSTOMER: P/N: 33116B-5M REV. . APPROVED BY:

REVISIONS		
REV.	DESCRIPTION	DATE
△		
△		



NOTES:



⑦	Bubble Bag	---	1
⑥	Cable tie	BLACK	1
⑤	Cable ties	BLACK	2
④	EN2506	--	4
③	WS-401 Waterproof cover	BLACK	1
②	Z5 3G 2.5mm ² +3x0.5mm ²	BLACK	1
①	WS-401 16 (A) 250 (V)	GREY RAL 7023	1
ITEM	DESCRIPTION	COLOR	QTY

SIGNATURE	
SAFETY ENGINEER:	
MANAGER BY:	
CHECKED BY:	
DRAWN BY:	

Ratio Electric B.V.			
www.ratio-electric.com			
PRODUCT NO.:	401	DATE:	2017/12/20
UNIT:	mm	SHEET:	1 OF 1
DWG NO: 3840B			REV. B