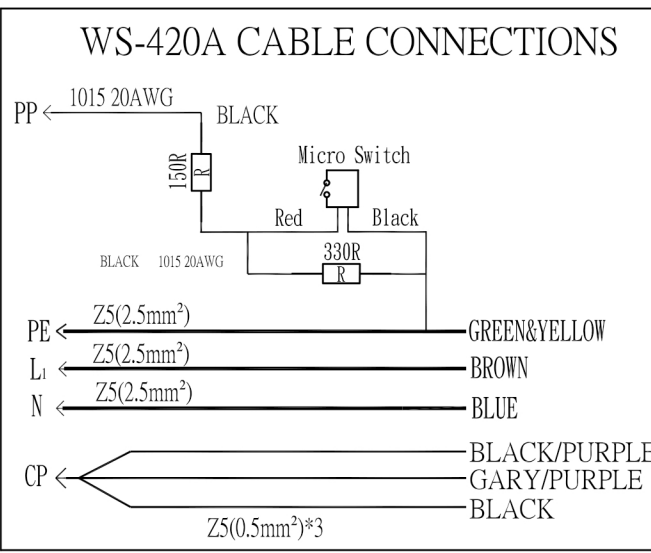
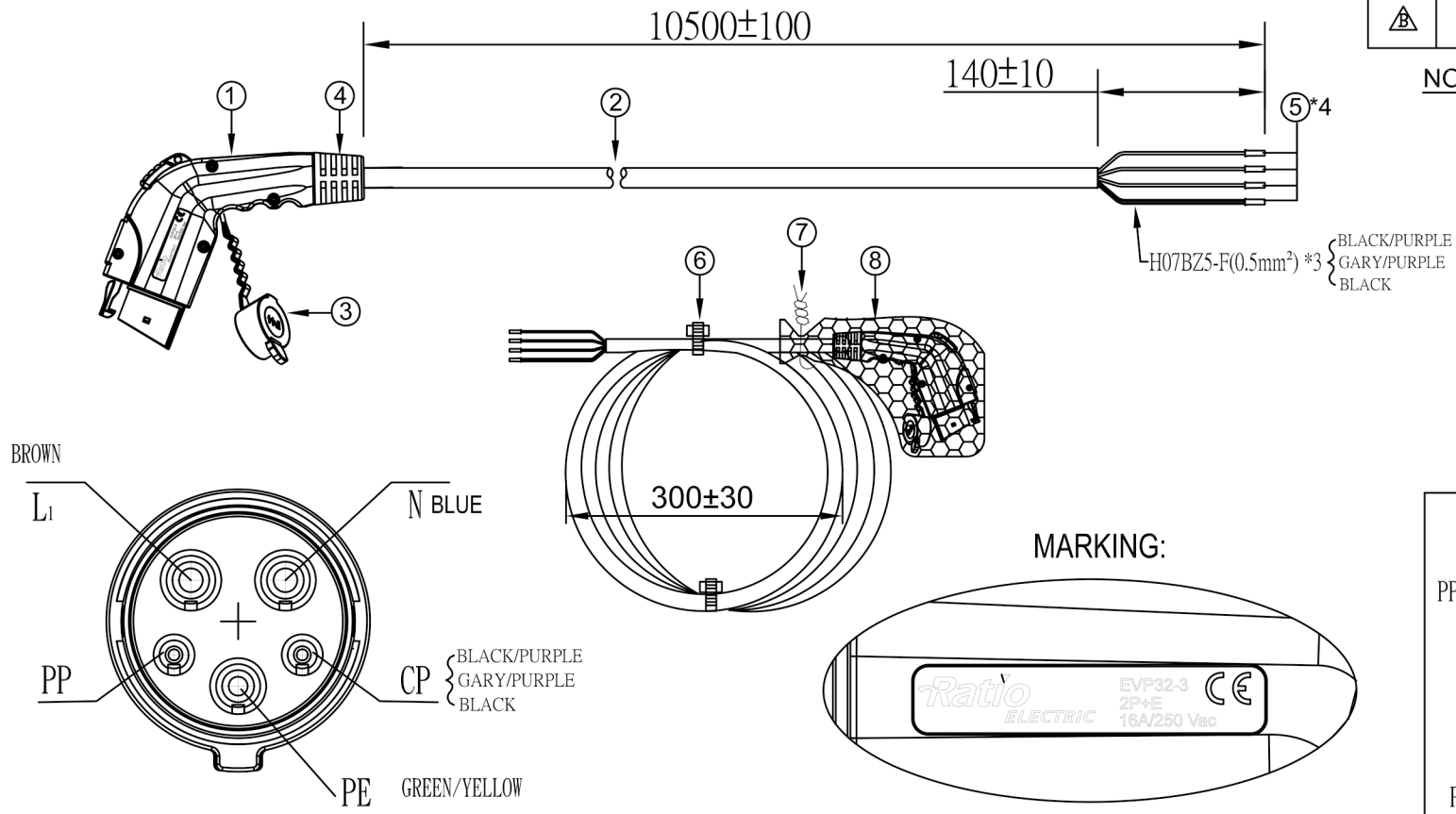


CUSTOMER: P/N: 32116B REV. . APPROVED BY:

REVISIONS		
REV.	DESCRIPTION	DATE
△		
△		

NOTES:



⑧	Bubble Bag	---	1
⑦	Cable tie	BLACK	1
⑥	Cable ties	BLACK	2
⑤	EN2506	--	4
④	WS-SR-592	BLACK	1
③	WS-420 Waterproof cover	BLACK	1
②	EVC Z5 3G 2.5mm²+3x0.5mm²	BLACK	1
①	WS-420A 16 (A) 250 (V)	GRAY Pantone no. 430C	1
ITEM	DESCRIPTION	COLOR	Q'TY

		SIGNATURE		Ratio Electric B.V.	
SAFETY ENGINEER:				www.ratio-electric.com	
MANAGER BY:				PRODUCT NO.: 420A	DATE: 2017/12/20
CHECKED BY:				UNIT: mm	SHEET: 1 OF 1
DRAWN BY:				REV. B	
DWG NO: 3843B					