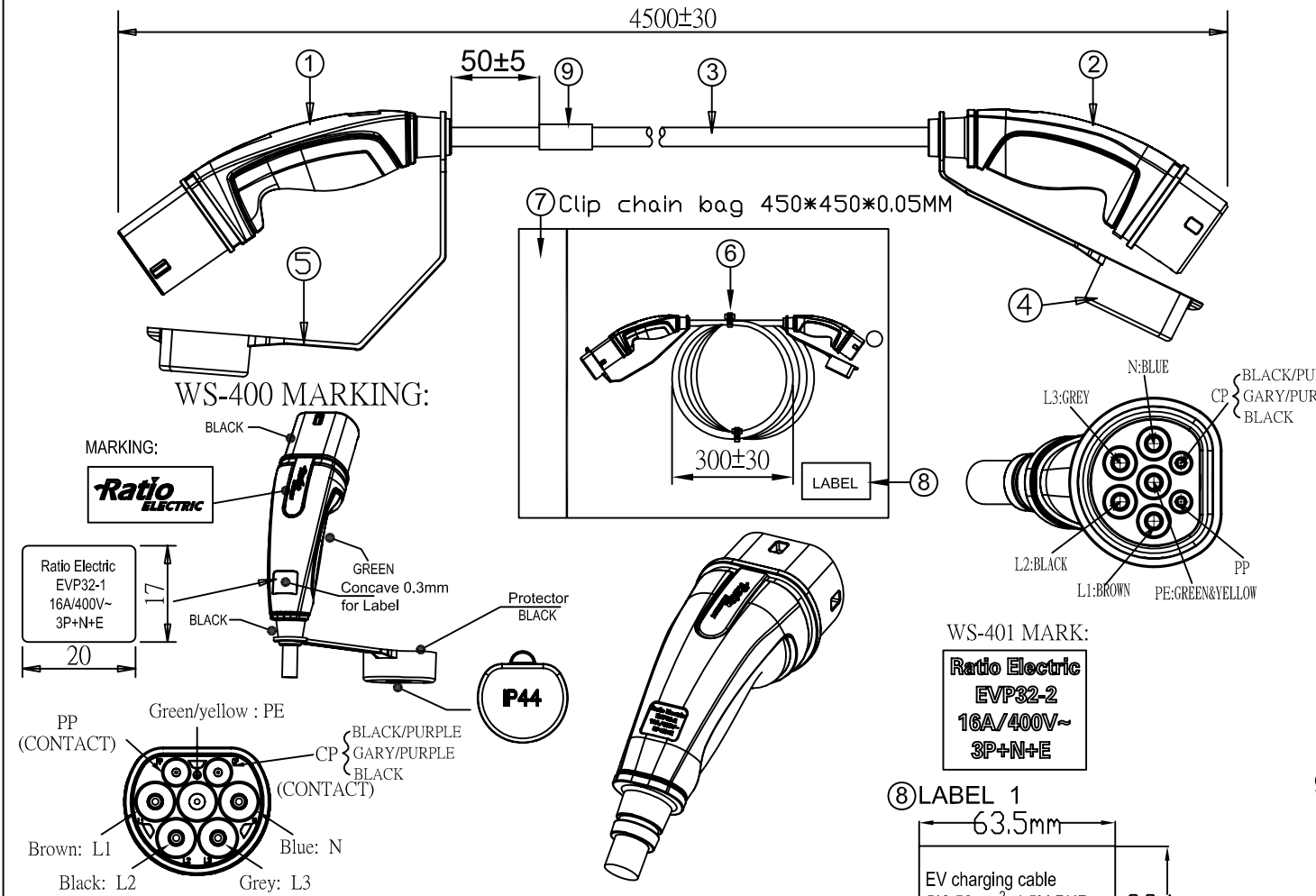


CUSTOMER: P/N: 31280B REV. . APPROVED BY:

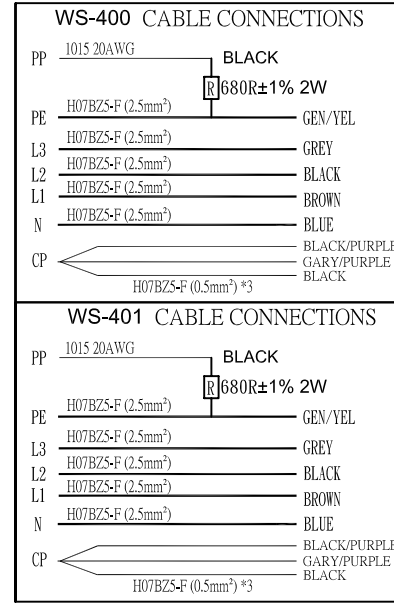
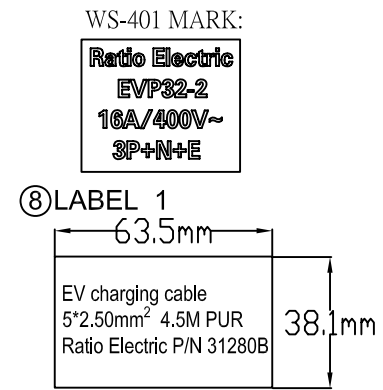
REVISIONS		
REV.	DESCRIPTION	DATE
△		
△		

NOTES:

- The outer box label needs to be labeled with the serial number of the serial number.
For example, the content of the 50PCS tag serial number is "WS-000001~WS-000050" (*Contents are based on customer)
The outer box label needs to be added:
"Serial No.:WS-000001~WS-000050"



ITEM	DESCRIPTION	COLOR	Q'TY
⑨	LABEL 2	--	1
⑧	LABEL 1	--	1
⑦	Clip chain bag 450*450*0.05MM	--	1
⑥	Cable ties	BLACK	2
⑤	WS-400 Waterproof cover	BLACK	1
④	WS-401 Waterproof cover	BLACK	1
③	H07BZ5-F 5G 2.5mm ² +3x0.5mm ²	BLACK	1
②	WS-401 16 (A) 400 (V) + Resistance 680R ±1% 2W	GREY (RAL 7023)	1
①	WS-400 16 (A) 400 (V) + Resistance 680R ±1% 2W	BLACK	1



SIGNATURE		Ratio Electric B.V.		
SAFETY ENGINEER:		www.ratio-electric.com		
MANAGER BY:		PRODUCT NO.: 400+401	DATE: 2018/08/21	
CHECKED BY:		UNIT: mm	SHEET: 1 OF 1	REV. C
DRAWN BY:		DWG NO: 0318-0247		