

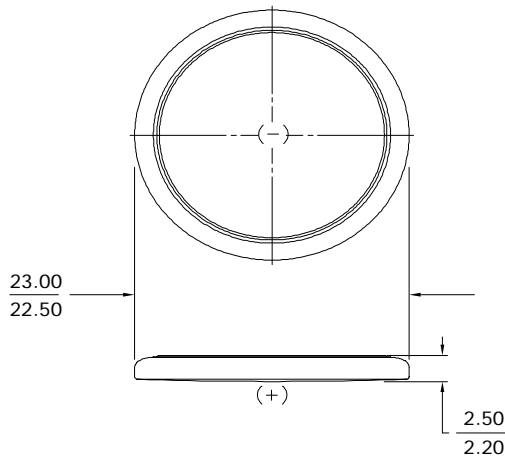
ENERGIZER NO. BR2325

**LITHIUM COIN**



**Industry Standard Dimensions**

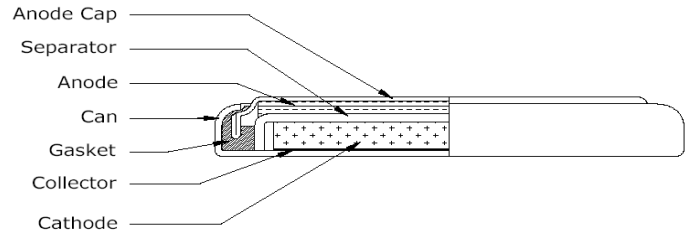
(mm)



**Specifications**

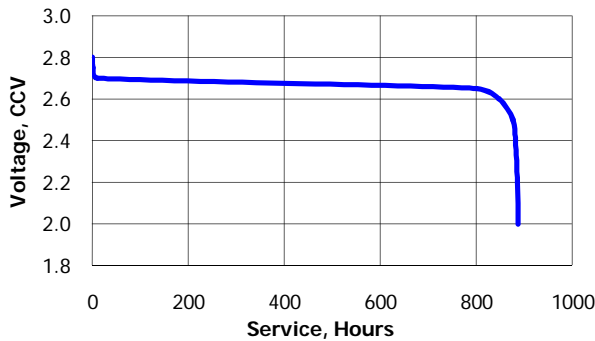
**Classification:** "Lithium Coin"  
**Chemical System:** Lithium / Poly-Carbon Monofluoride (Li/CFx)  
**Designation:** IEC-BR2325  
**Nominal Voltage:** 3.0 Volts  
**Typical Capacity:** 165 mAh (to 2.0 volts)  
 (Rated at 15K ohms at 21°C)  
**Typical Weight:** 3.0 grams  
**Typical Volume:** 1.0 cubic centimeters  
**Max Rev Charge:** 1 microampere  
**Energy Density:** 160 milliwatt hr/g, 479 milliwatt hr/cc  
**Shipping:** For complete details, please reference: Special Provision A45 of the International Air Transport Association Dangerous Goods Regulations

**Cross Section**



**Typical Discharge Characteristics**

Load: 15K ohms - Continuous  
 Typical Drain @ 2.7V: 0.186 mA



**Simulated Application test**

Typical Performance at 21°C (70°F)

Schedule:	Typical Drains: at 2.7V (mA)	Load (ohms)	Cutoff 2.0V (hours)
Continuous	0.186	15,000	887

**Important Notice**

This datasheet contains typical information specific to products manufactured at the time of its publication.  
 ©Energizer Holdings, Inc. - Contents herein do not constitute a warranty.